
 <p>THE LIGHTNING FLASH AND ARROW-HEAD WITHIN THE TRIANGLE IS A WARNING SIGN ALERTING YOU OF "DANGEROUS VOLTAGE" INSIDE THE PRODUCT.</p>	<p><b>CAUTION</b> RISK OF ELECTRIC SHOCK DO NOT OPEN</p> <p>CAUTION: TO REDUCE THE RISK OF ELECTRIC SHOCK, DO NOT REMOVE COVER (OR BACK). NO USER-SERVICEABLE PARTS INSIDE. REFER SERVICING TO QUALIFIED SERVICE PERSONNEL.</p>	 <p>THE EXCLAMATION POINT WITHIN THE TRIANGLE IS A WARNING SIGN ALERTING YOU OF IMPORTANT INSTRUCTIONS ACCOMPANYING THE PRODUCT.</p>
<p>SEE MARKING ON BOTTOM / BACK OF PRODUCT</p>		

**WARNING:** TO PREVENT FIRE OR ELECTRICAL SHOCK HAZARD, DO NOT EXPOSE THIS PRODUCT TO RAIN OR MOISTURE.

# FCC Information

## FCC Information

This device complies with Part 15 of the FCC Rules. Operation is subject to the following two conditions: (1) This device may not cause harmful interference, and (2) this device must accept any interference received, including interference that may cause undesired operation.

In accordance with FCC requirements, changes or modifications not expressly approved by Thomson Inc. could void the user's authority to operate this product.

This device generates and uses radio frequency (RF) energy, and if not installed and used properly, this equipment may cause interference to radio and television reception.

If this equipment does cause interference to radio or television reception (which you can determine by unplugging the unit), try to correct the interference by one or more of the following measures:

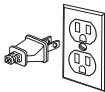
- Re-orient the receiving antenna (that is, the antenna for the radio or television that is "receiving" the interference).
- Move the unit away from the equipment that is receiving interference.
- Plug the unit into a different wall outlet so that the unit and the equipment receiving interference are on different branch circuits.

If these measures do not eliminate the interference, please consult your dealer or an experienced radio/television technician for additional suggestions. Also, the Federal Communications Commission has prepared a helpful booklet, "How To Identify and Resolve Radio TV Interference Problems." This booklet is available from the U.S. Government Printing Office, Washington, DC 20402. Please specify stock number 004-000-00345-4 when ordering copies.

**CAUTION:** FOR CONTINUED PROTECTION AGAINST RISK OF FIRE, REPLACE ONLY WITH SAME TYPE FUSE.

## For Your Safety

The AC power plug is polarized (one blade is wider than the other) and only fits into AC power outlets one way. If the plug will not go into the outlet completely, turn the plug over and try to insert it the other way. If it still does not fit, contact a qualified electrician to change the outlet, or use a different one. Do not attempt to bypass this safety feature.



**CAUTION: TO PREVENT ELECTRIC SHOCK, MATCH WIDE BLADE OF PLUG TO WIDE SLOT, FULLY INSERT.**

## Technical Specification

Product: Clock Radio with CD player  
Brand: RCA  
Model: RP4801

## Electrical Consumption

Power Supply: 120V~60Hz  
Power Consumption: 11 Watts

## IMPORTER

Comercializadora Thomson de México, S.A. de C.V.

Álvaro Obregón No. 151. Piso 13.  
Col. Roma. Delegación Cuauhtémoc  
C.P. 06700. México, D.F.  
Telefono: 52-55-11-020360  
RFC: CTM-980723-K55

## For Your Records

In the event that service should be required, you may need both the model number. In the space below, record the date and place of purchase:

Date of Purchase:  
Place of Purchase:

## Service Information

This product should be serviced only by those specially trained in appropriate servicing techniques. For instructions on how to obtain service, refer to the warranty included in this Guide.

# Before you begin

EN

This clock radio is equipped with a memory holding system that can be powered with 9V battery (not included). The power failure protection circuit will not operate unless battery is installed.

When normal household power is interrupted, or AC cord is unplugged, the battery will power the clock radio to keep track of time and alarm settings programmed into the memory. When the battery backup functions, the digital display will not light, however, the function of alarm still occurs during the power interruption if remaining battery power is adequate. Normal operation will resume after AC power is restored so you will not have to reset the time or the alarm.

Install battery as below:

1. Remove battery compartment door (located at the bottom of the radio) by applying thumb pressure to area indicated on battery door and then lift the door out and off the cabinet.
2. Connect a 9V battery to the connector plug.
3. Insert battery in the compartment and replace the compartment door.

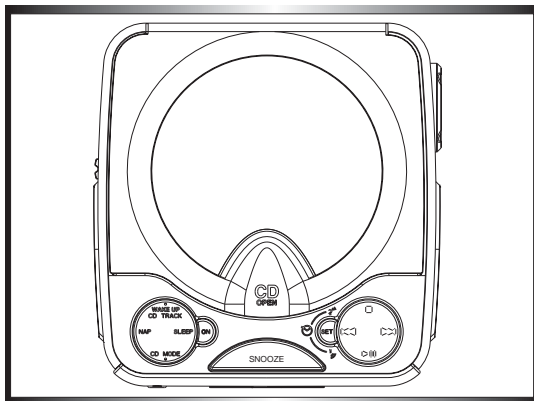
## Power Failure Indicator

When the AC power is interrupted (disconnected) for a short period of time, both time and alarm settings will change (unless optional battery is installed). After AC power is restored (reconnected), the Digital Display will blink to indicate that power was interrupted and you should re-adjust the time and alarm settings.

The descriptions and characteristics in this owner's manual are for the purpose of general reference only and not as a guarantee. In order to provide you with the highest quality product, we may make changes or modifications without prior notice. The English version serves as the final reference on all product and operational details should any discrepancies arise in other languages.

# Operating the Clock

EN



## Setting time:

1. Press the **SET** button, the ":" will flash on the display .
2. Press **REV** or **FWD** to set the time.
3. AM or PM icon will show beside the time.

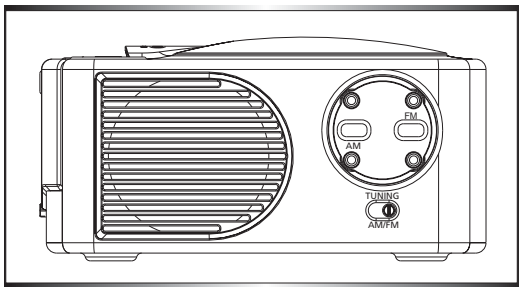


### Tip:

No icon will be flashing if all selectors are set, if you see any icon flashing on display, press the **SET** button repeatedly to confirm everything is set correctly.

# Operating the Radio

EN



## Tuning the Stations

1. Press **ON** to turn on the radio.
2. Slide the **FM/AM** switch to the desired broadcast band.
3. Turn the **TUNING** knob to select a station.
4. Press **OFF** to turn off the radio.

## Built-In AFC

The Built In Automatic Frequency Control (AFC) works only on FM. It helps reducing drift on FM reception and keeping the radio locked in on the FM station to which it is tuned.

When tuning in FM stations, you may notice that the station you are tuning can be well-tuned on two or three nearby points on the dial. Always tune carefully at the loudest and clearest point.

## Antennas

**AM Antenna** - A built-in ferrite rod antenna eliminates the need for an outside antenna for AM reception. Rotating the unit slightly may improve the reception of distant AM stations.

**FM antenna** - The power cord acts as your FM antenna. It picks up moderate to strong stations and eliminates the need for an external antenna in most strong signal areas. Be sure the power cord is stretched to its full length. Do not coil or bunch the cord together. Changing position of the power cord may improve reception.

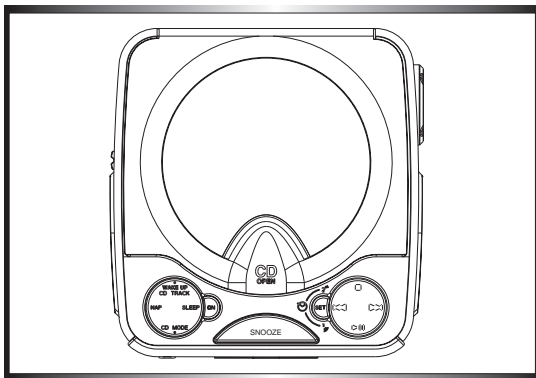


### Tip:


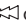

You may try to move the power cord in order to improve the reception.

# Operating the CD player

EN



## Listening to compact disc

1. Lift to open the CD compartment door.
2. Insert a disc and close the door.
3. Press **PLAY/PAUSE** .
4. Adjust volume to your desired level.
5. Press **REV**  or **FWD**  to skip backward and forward.
6. Press **STOP** to stop CD playback.



### Note:

When there is no disc in the CD compartment, "nd" will show on display.

## Selecting play mode

1. Start CD playback.
2. During playback, press **CD MODE** to toggle between different play mode.

REPEAT ONE  - repeat the current track.

REPEAT ALL  - repeat the whole disc.

SHUFFLE  - play tracks randomly.

SHUFFLE REPEAT  - play random track repeatedly.

# Operating the Alarm

EN



## Setting the WAKE Time

Your digital clock operates on a 12 hour standard mechanism.

1. Press the **SET** button until WAKE 1 / WAKE 2 icon is blinking.
2. Press **REV** ⏪ or **FWD** ⏩ to set the wake time. The time decrements or increments will follow by a faster rate when you press and hold either **REV** ⏪ or **FWD** ⏩.
3. After the WAKE time is set, press **SET** repeatedly until no icon is blinking.



### Tip:

The unit equips with **GRAD-U-WAKE** feature, the alarm tone volume will increase gradually to its maximum in about 30 to 45 seconds.



### Tip:

If you set the SLEEP function with low volume level before going to bed, we advise using WAKE 📻 mode to wake you up since its volume will automatically increase.

## Waking by Selected Source

You may be woken up by WAKE 📻, RADIO 📻 or CD 🎵.

1. Select an AM or FM station.
2. Set wake time (see above directions).
3. Press **WAKE 2** or **WAKE 1** to select waking up by WAKE 📻, RADIO 📻 or CD 🎵. Corresponding indicator will be up next to the selected setting.
4. Adjust the volume by turning **VOLUME**.

You can select your CD wake track by the following procedures.

1. Press **WAKE UP CD TRACK**.
2. While pressing, press **REV** ⏪ or **FWD** ⏩ to select your desired CD wake up track.



### Note:

When you turn off the alarm by pressing **OFF**, the alarm will turn on at the same time tomorrow.



# Operating the Clock Radio

EN

## Sleep Mode

In sleep mode, the radio or CD will turn off automatically. Simply:

1. Listen to CD or radio.
2. While holding **SLEEP**, press **REV** ⏪ or **FWD** ⏩ to set the sleep time. The time range is from 1 minute to 2 hours.
3. Release **SLEEP** and the current time will be shown again. The radio or CD will turn off when the preset time elapses. If you decide to turn off the radio or CD sooner, press **SNOOZE** or **OFF**.
4. When **SLEEP** is activated again, the sleep time will be the same as the one you have set before.
5. Press **SLEEP** to read the remaining sleep time.

## Nap Mode

This function wakes you up after a short period of time. Simply:

1. Press **NAP** and release. The **NAP** indicator will flash. During this period, adjust NAP time by pressing **REV** ⏪ or **FWD** ⏩. The range is from 10 minutes to 2 hours.
2. The clock will be shown after 5 seconds if no button is pressed. The **NAP** indicator will lit up.
3. Press **NAP** once to show time left.

## Stop the Nap alarm

Press **NAP** or follow "Turning off Alarm".

1. Press and hold **NAP** to cancel the nap setting.
2. Only alarm sound can be selected.
3. Nap alarm is equipped with **GRAD-U-WAKE** feature.

## Turning off Alarm

### Silence the alarm momentarily

Press **SNOOZE**. The alarm will sound again when the snooze period is over. (See "Snooze Alarm Operation").

### Stop the alarm

Press **OFF**. The alarm will sound on the following day at the same time.

### Disable the alarm permanently

1. Press **CANCEL**.
2. The **WAKE** indicator will be flashing.
3. Press **WAKE 1** or **WAKE 2** within 3 seconds to deactivate the corresponding alarm function permanently.



#### Tip:

You can activate the previously set alarm time by pressing **WAKE 1** or **WAKE 2**.

# Operating the Clock Radio

EN

## Snooze Alarm Operation

This operation allows extra sleep time after the alarm is on. The alarm will turn off by pressing **SNOOZE** until the snooze period is over. Snooze function can be used repeatedly up to 2 hours. After this, the alarm will turn off until the next alarm conditions are met. Set the "quiet" period as follow:

1. Press and hold **SNOOZE**.
2. Press **REV** ⏪ or **FWD** ⏩ to set the "quiet" period (the default time is 9 minutes) from 1 minute to 30 minutes. Release the button, then the "quiet" period is set.

## Seconds Time Display

The unit may display in seconds.

1. Press **REV** ⏪ or **FWD** ⏩ to show seconds display.
2. Release **REV** ⏪ or **FWD** ⏩ to return to the hour and minute display.

## Brightness control

You can adjust the backlight by adjusting the **BRIGHTNESS** switch at the back of the unit, there are two modes you may select from:

- High — Stronger Backlight.
- Low — Weaker Backlight.

# U.S. Limited Warranty

EN

## What your warranty covers:

- Defects in materials or workmanship.

## For how long after your purchase:

- One year from date of purchase.

The warranty period for rental units begins with the first rental or 45 days from date of shipment to the rental firm, whichever comes first.

## What we will do:

- Provide you with a new, or at our option, a refurbished unit. The exchange unit is under warranty for the remainder of the original product's warranty period.
- Proof of purchase in the form of a bill of sale or receipted invoice which is evidence that the product is within the warranty period must be presented to obtain warranty service. For rental firms, proof of first rental is also required.

## How to make a warranty claim:

- Properly pack your unit. Include any cables, etc., which were originally provided with the product. We recommend using the original carton and packing materials.
- Include evidence of purchase date such as the bill of sale. Also print your name and address and a description of the defect. Send via standard UPS or its equivalent to:

**Thomson Inc.**  
**Product Exchange Center**  
**11721 B Alameda Avenue**  
**Socorro, Texas 79927**

- Insure your shipment for of loss or damage. Thomson accepts no liability in case of damage or loss en route to Thomson.
- Pay any charges billed to you by the Exchange Center for service not covered by the warranty.
- A new or refurbished unit will be shipped to you freight prepaid.

## What your warranty does not cover:

- Customer instruction. (Your Owner's Manual provides information regarding operating Instructions and user controls. For additional information, ask your dealer.)
- Installation and setup service adjustments.
- Batteries.
- Damage from misuse or neglect.
- Products which have been modified or incorporated into other products.
- Products purchased or serviced outside the USA.
- Acts of nature, such as but not limited to lightning damage.

# U.S. Limited Warranty

EN

## Limitation of Warranty:

- THE WARRANTY STATED ABOVE IS THE ONLY WARRANTY APPLICABLE TO THIS PRODUCT. ALL OTHER WARRANTIES, EXPRESS OR IMPLIED (INCLUDING ALL IMPLIED WARRANTIES OF MERCHANTABILITY OR FITNESS FOR A PARTICULAR PURPOSE) ARE HEREBY DISCLAIMED. NO VERBAL OR WRITTEN INFORMATION GIVEN BY THOMSON INC., ITS AGENTS OR EMPLOYEES SHALL CREATE A WARRANTY OR IN ANY WAY INCREASE THE SCOPE OF THIS WARRANTY.
- REPAIR OR REPLACEMENT AS PROVIDED UNDER THIS WARRANTY IS THE EXCLUSIVE REMEDY OF THE CONSUMER. THOMSON INC. SHALL NOT BE LIABLE FOR INCIDENTAL OR CONSEQUENTIAL DAMAGES RESULTING FROM THE USE OF THIS PRODUCT OR ARISING OUT OF ANY BREACH OF ANY EXPRESS OR IMPLIED WARRANTY ON THIS PRODUCT. THIS DISCLAIMER OF WARRANTIES AND LIMITED WARRANTY ARE GOVERNED BY THE LAWS OF THE STATE OF INDIANA. EXCEPT TO THE EXTENT PROHIBITED BY APPLICABLE LAW, ANY IMPLIED WARRANTY OF MERCHANTABILITY OR FITNESS FOR A PARTICULAR PURPOSE ON THIS PRODUCT IS LIMITED TO THE APPLICABLE WARRANTY PERIOD SET FORTH ABOVE.

## How state law relates to this warranty:

- Some states do not allow the exclusion nor limitation of incidental or consequential damages, or limitations on how long an implied warranty lasts, so the above limitations or exclusions may not apply to you.
- This warranty gives you specific legal rights, and you also may have other rights that vary from state to state.

## If you purchased your product outside the USA:

This warranty does not apply. Contact your dealer for warranty information.

# Canadian Limited Warranty

EN

Thomson Multimedia Ltd. warrants to the purchaser or gift recipient that if any manufacturing defect becomes apparent in this product within 1 year from the original date of purchase, it will be replaced free of charge, including return transportation.

This warranty does not include damage to the product resulting from accidents, misuse or leaking batteries.

Should your product not perform properly during the warranty period, either:

1. Return it to the selling dealer with proof of purchase for replacement,

OR

2. Remove the batteries (where applicable), and pack product complete with accessories in the original carton (or equivalent). Mail prepaid (with proof of purchase) and insured to:

**Thomson Multimedia Ltd.  
6200 Edwards Blvd.,  
Mississauga, Ontario L5T 2V7  
Canada**

The provisions of this written warranty are in addition to and not a modification of or subtraction from the statutory warranties and other rights and remedies contained in any applicable legislation, and to the extent that any such provisions purport to disclaim, exclude or limit any such statutory warranties and other rights and remedies, such provisions shall be deemed to be amended to the extent necessary to comply therewith.

If you are unable to find a qualified service for out of warranty service, you may write to:

Thomson Inc.  
P.O. Box 0944  
Indianapolis, Indiana, U.S.A., 46206-0944

Attach your sales receipt to this booklet for future reference. This information is required if service is needed during the warranty period.

PURCHASE DATE

NAME OF STORE